

MWALL. MONOLITHIC PANEL SYSTEM

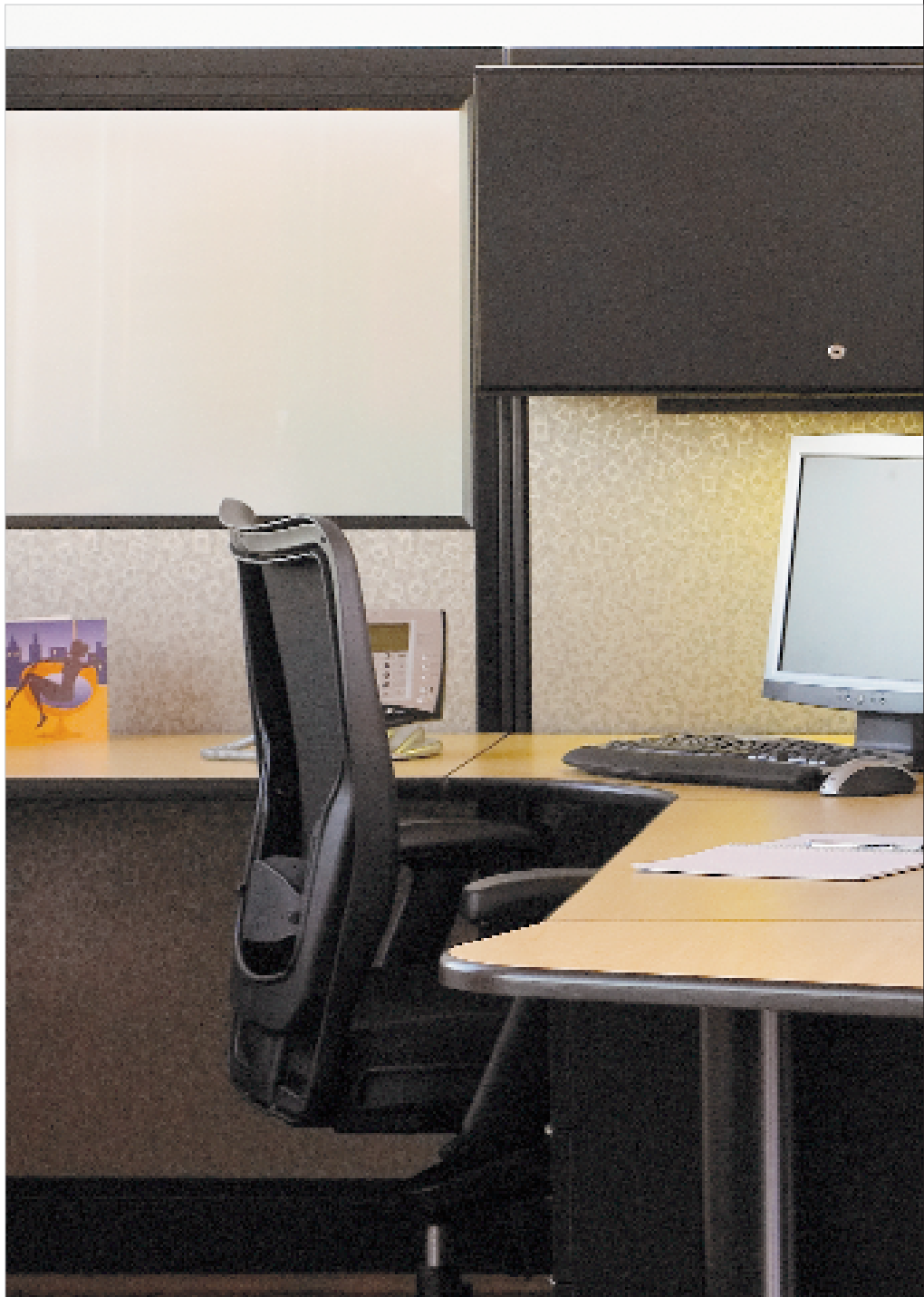


## DESIGNED AND BUILT TO LAST

MWall is a simple, versatile, value-oriented monolithic panel system designed to support every work environment. The system engineering is based upon a well-known, proven, high-end system and enhanced to offer increased flexibility and electrical options.

MWall offers fabric and glass panels in varying heights with a 4" base raceway to meet electrical and data needs. Z-Panel beltline raceways can be added to bring electrical and data to worksurface height.

Offering compatibility with similar OEM systems, MWall is also a sensible value-based option to expand an existing office space for less.





## FLEXIBILITY IS KEY.

Flexibility is the key to a solid workspace design and return on investment. MWall is designed to evolve as your company grows. With panels offered in four varying heights from 41" - 80" and six varying widths from 18" - 60", as well as quarter glass, half glass, and full glass options - you can create spaces that will work for every type of environment.

MWall's connection system allows panel connections at any angle, without the need for any special hardware. This allows for the creation of 90, 120 and 135 degree configurations, and simple reconfiguration in the future.





**M WALL.  
AN INDUSTRY LEADER.**

MWall is the industry leader in value. Clean lines combined with outstanding durability define sophistication on a budget. MWall utilizes an aluminum topcap and base providing a strong, upscale look that can be painted in any color that suits your style. Integrating varying panel heights and glass, bright and airy spaces can be easily achieved, positively impacting employee productivity.





**M WALL  
WILL MEET YOUR NEEDS.**

From private office configurations and conference rooms to workstations, Wall will meet your needs while projecting a clean, sophisticated image. Workstations in virtually limitless configurations are possible. MWall can easily achieve open, low-panel teaming arrangements and telemarketing stations, as well as concealed workspaces. Panels at 80" high can be used to create private office spaces and conference rooms. Work-surfaces of varying shapes, coupled with a strong line of storage options, create a sleek, efficient space for less.

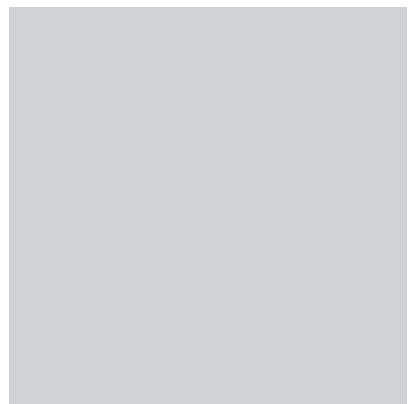


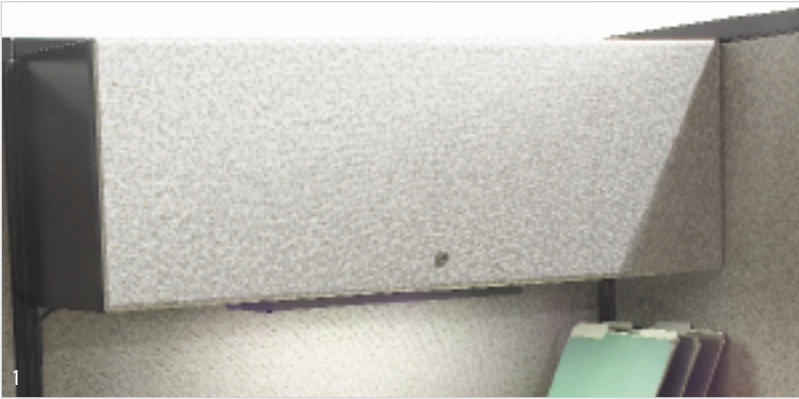




**DURABLE.  
SUSTAINABLE.**

MWall is built for life, backed by the AIS lifetime warranty. AIS stands behind its products and engineers to meet stringent stability, safety and environmental standards. MWall systems meet and exceed ANSI/BIFMA standards and are GREENGUARD Certified. Additionally, MWall is comprised of 59.1% recycled content by weight, offering you a sensible, earth-friendly solution that may contribute to LEED credits.





## ACCESSORIES

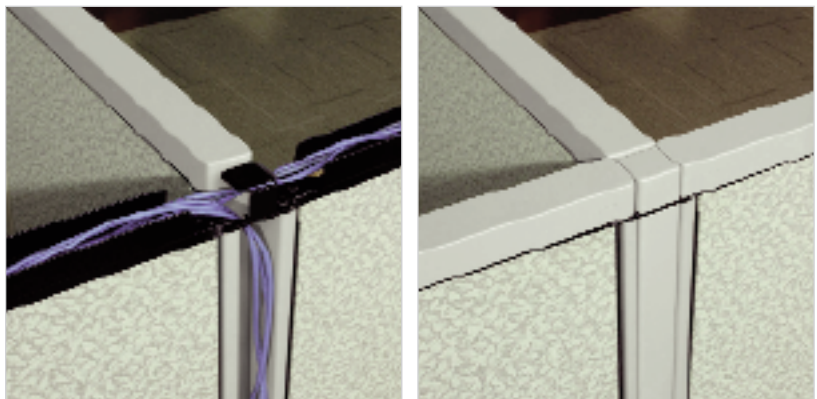
- 1 AIS offers flipper doors painted, fabric-covered, and laminated to suit your style. Flipper door units are the perfect storage solution, keeping workstations neat and clean.
- 2 Tool Rails are an efficient, easy to incorporate solution to keep workspace areas neat and clean. Paper flow tools are available in several styles to meet your needs.
- 3 Keyboard trays can be mounted to any worksurface for advanced ergonomics.
- 4 The Element Series of chairs is available in both Executive and Task styles. Task is offered in black as a standard, and is now available with a silver mesh back and enhanced silver base.
- 5 Pedestals are available in a variety of configurations to meet your storage needs. AIS also offers a comprehensive selection of matching lateral file, wardrobe towers and bookcases.
- 6 AIS Standard Loop Pull pedestals are available in Box/Box/File and File/File configurations.
- 7 Ped fillers.

## DATA & ELECTRICAL

Seamlessly integrate power and data into the panel base using the MWall base raceway. AIS offers a variety of data and phone jack plate combinations. The Pent powerway direct connection systems provide the industry's top-rated modular electrical connection. Even in a powered raceway, there is ample room for Category 5/6, or other cable requirements.

The top channel data raceway allows for added capacity and flexibility with true power and data separation in a single panel. Easily installed, the vertical wire managers conceal data or phone cables dropped to worksurface height.

MWall includes the patented Z-Panel option, providing desk-height access to power and communications. Z-Panel enables workers to plug in power or data cables with ease while also providing voice and data cable separation.



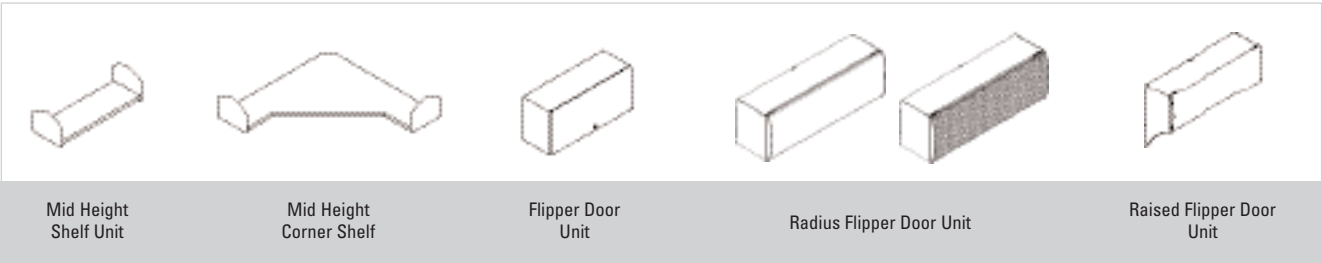


## YOUR WORKSPACE IN 10 WORKING DAYS!

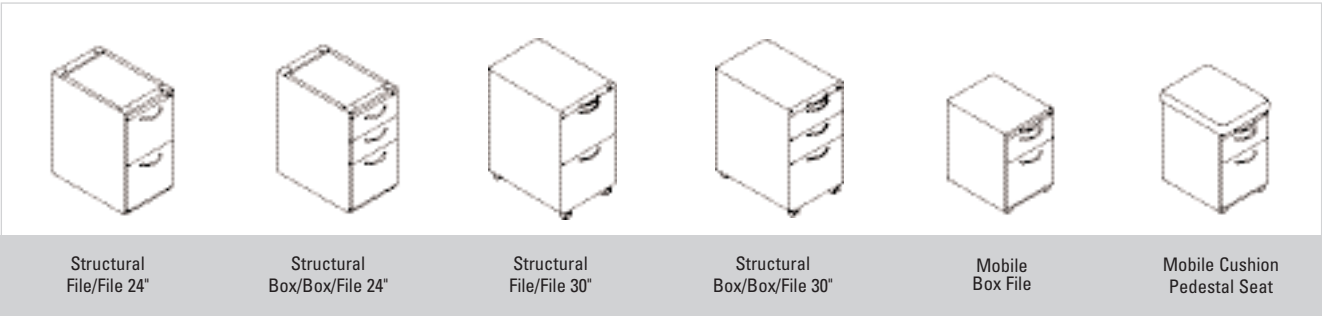
AIS boasts the fastest lead-times in the industry. With the AIS Quick Ship program your new workspaces will be delivered in 10 working days or less. That is the AIS guarantee.



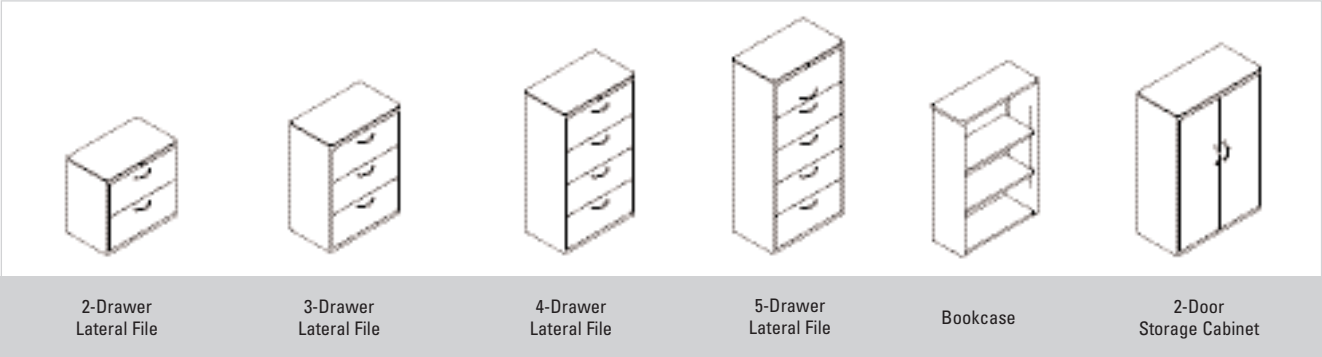
# STORAGE AND FILE SOLUTIONS



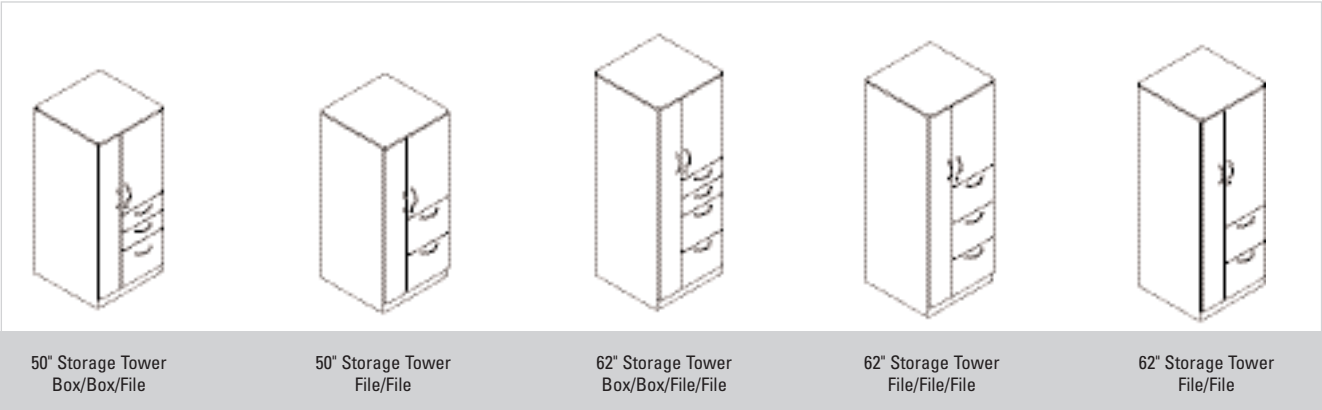
SHELVES / FLIPPER DOORS



PEDESTALS



BOOKCASES, 2-DOOR CABINETS, LATERAL FILES



WARDROBE STORAGE TOWERS



## THE STANDARD. FOR ANY ENVIRONMENT.

MWall offers you an exceptional value for your work environment even as AIS sets a high standard for preserving and improving the world's environment. In fact, for several years we have led our industry in developing and implementing Green and Lean manufacturing practices. A testament of our commitment is being the first and only systems furniture manufacturer to be awarded the prestigious Shingo Award for Excellence in lean manufacturing. By working with like-minded suppliers, we have pioneered efforts in eliminating waste and reducing potentially harmful toxins and VOCs. AIS also adheres to the stringent GREEN-GUARD standards, and engineers and manufactures its products with this standard in mind. We will continue to devote ourselves to manufacturing lean products that are sensitive to the environment and indoor air quality.